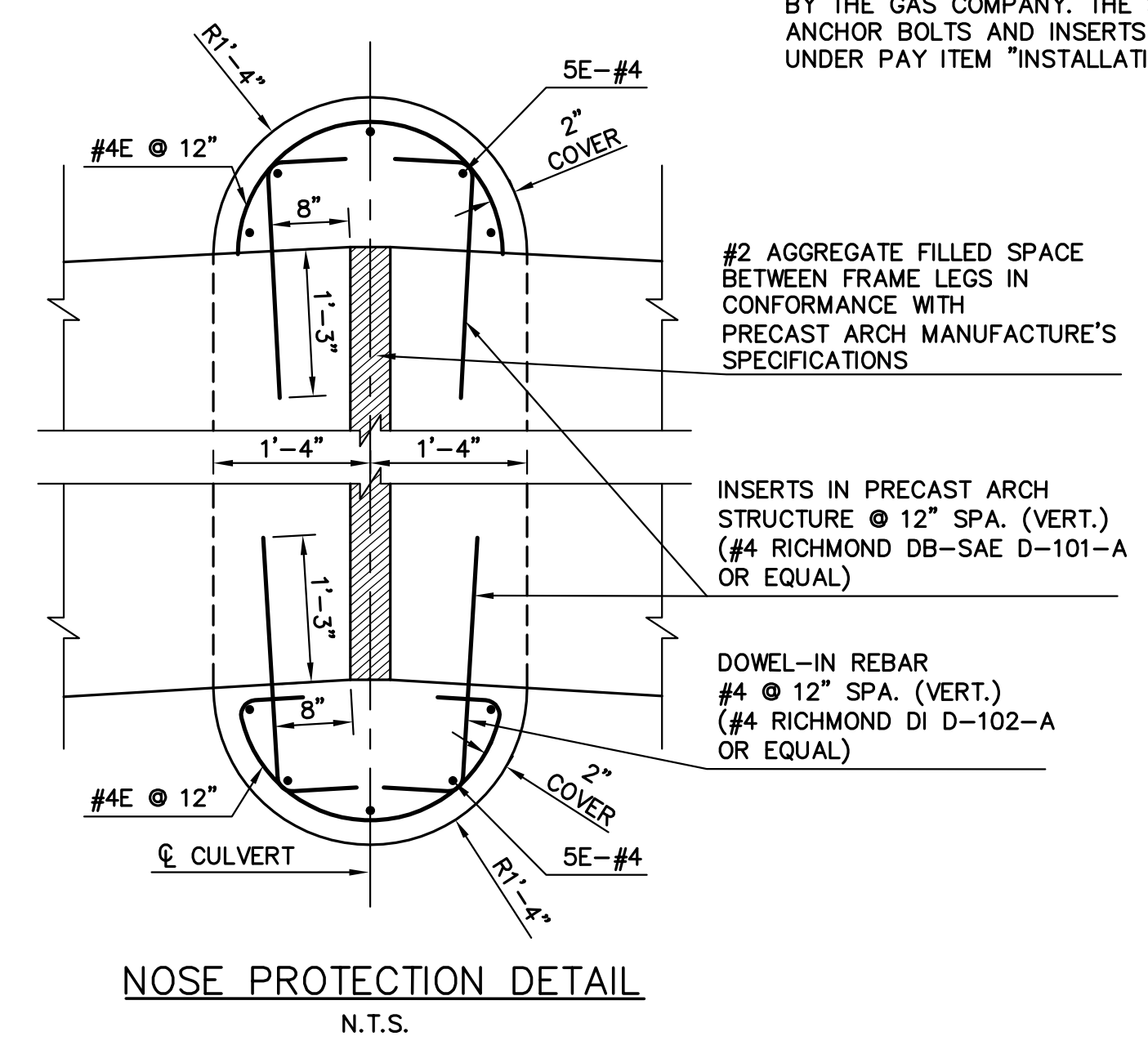
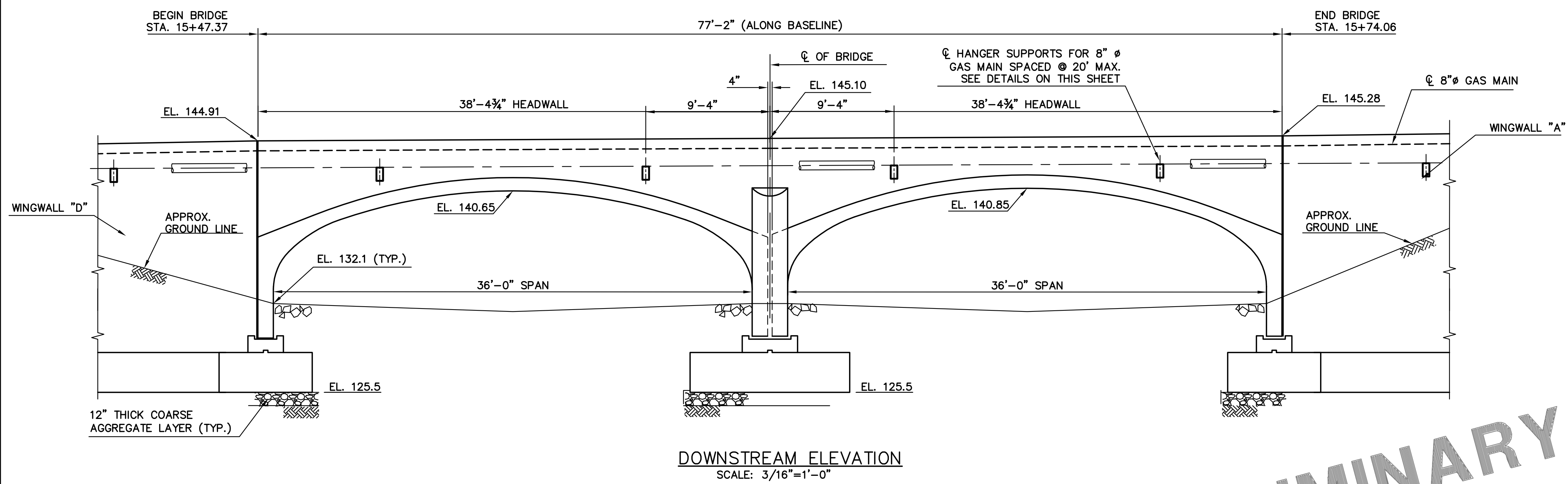


- NOTES:**
- FOR GENERAL NOTES REFER TO SHET NO. B2
  - ALL REINFORCEMENT STEEL IN SUPERSTRUCTURE SHALL BE EPOXY COATED.
  - FOR EPOXY WATERPROOFING SEAL COAT LIMITS SEE SHEET NO. B9.
  - ALL THE GAS MAIN EPOXY HANGER COMPONENTS MARKED WITH (\*) AND ADDITIONAL GAS MAIN PIPES SLEEVES, EXPANSION JOINTS, AND SEALS BETWEEN PIPE AND SLEEVES SHALL BE FURNISHED BY THE GAS COMPANY. THE SUPPORT ANGLES, ANCHOR BOLTS AND INSERTS SHALL BE PRICED UNDER PAY ITEM "INSTALLATION OF 8" GAS MAIN".



CONCRETE FOR NOSE PROTECTION SHALL BE PAID FOR UNDER "CONCRETE IN SUBSTRUCTURE, RETAINING WALL"

INSERTS IN PRECAST ARCH STRUCTURE SHALL BE INCLUDED IN PRICE BID FOR "PRECAST CONCRETE ARCH STRUCTURE"

INSERTS IN HEADWALL AND DOWEL-IN REBAR SHALL MEASURED AND PAID FOR IN THE PRICE BID FOR "REINFORCEMENT STEEL IN STRUCTURES"

**PRELIMINARY**

NO.	DATE	DESCRIPTION	SURVEYED BY	DRAWN BY	DESIGNED BY	CHECKED BY

**Boswell ENGINEERING**  
ENGINEERS - SURVEYORS - PLANNERS - SCIENTISTS  
330 PHILLIPS AVENUE • SOUTH HACKENSACK, N.J. 07606  
N.J. CERTIFICATE OF AUTHORIZATION No. 24GA27958000

**STEPHEN T. BOSWELL**  
PROFESSIONAL ENGINEER N.J. LIC. 34680

**JOHN R. VALENTIN**  
PROFESSIONAL ENGINEER N.J. LIC. 37568

REPLACEMENT OF BRIDGE NO. 230.9  
OLD MILL ROAD OVER STONY BROOK  
CULVERT DETAILS 2  
TOWNSHIP OF HOPEWELL

MERCER COUNTY NEW JERSEY

SURVEYED BY AA	DESIGNED BY LT	SCALE:	JOB NO.	DATE
DRAWN BY CL	CHECKED BY CND	AS NOTED	MEC-102	06/19/09

CADD FILE: MEC-102-CD2 SHEET 31 OF 37

B5  
B11